

felo

INNOVATIONS

RGONIC[®] **Nutdrivers**

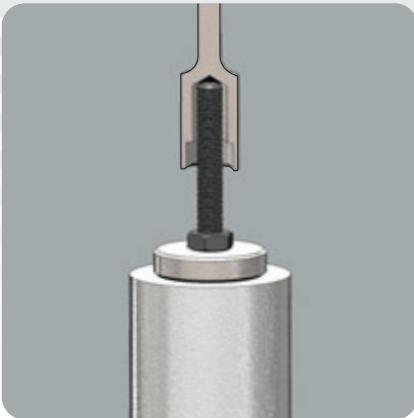


AC 1000V
IEC 60900 : 2004



**made in
Germany**

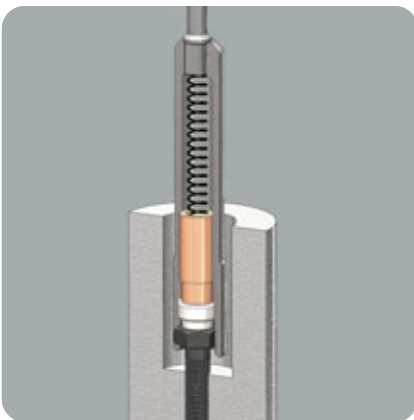




conventional nut-driver

Conventional nut-drivers are useless in two situations:

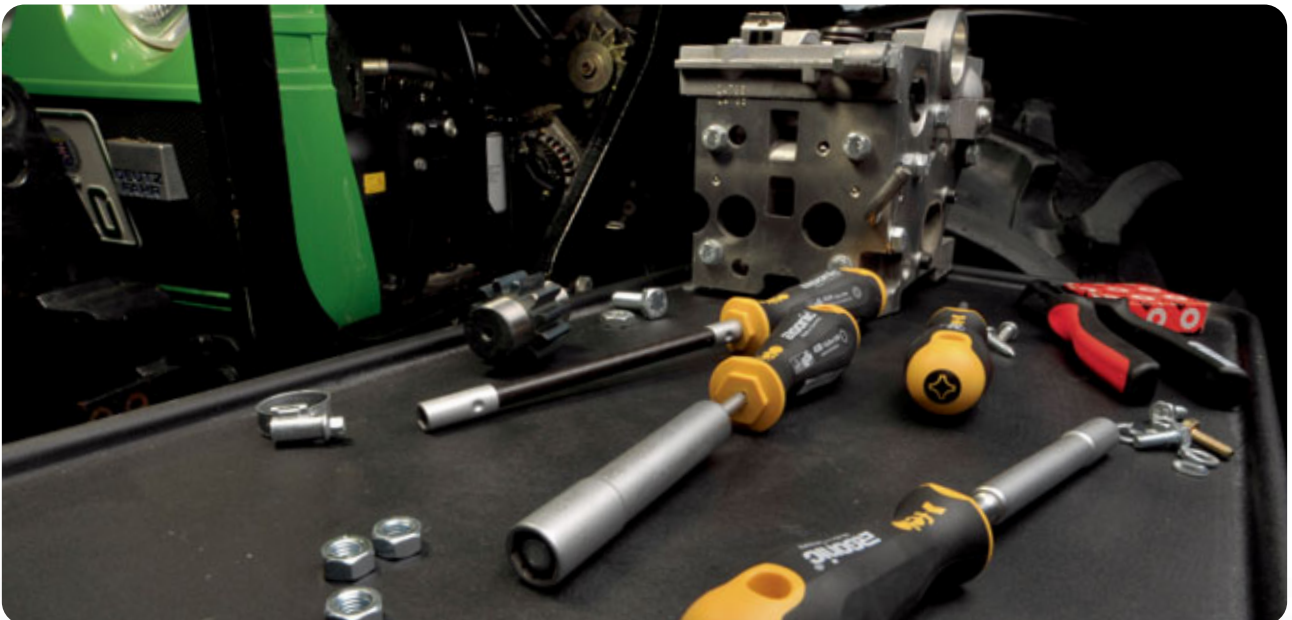
- 1) when the nut is sitting on a long threaded bolt and**
- 2) when the screw or nut has to be operated in a difficult to reach space.**



felo M-Tec nut-driver

felo M-Tec nut-drivers solve these problems with ease:

- A spring-loaded magnet holds nut or screw and allows easy and safe placement in difficult spaces.**
- On threaded bolts the magnet is pushed deep into the socket tube.**



M-Tec nut-drivers are available as screwdrivers, T-handles and sockets for ratchets and power-tools.